



- » **2" DN50**
- » **0 to 360 l/min**
- » **0 to 21.6 m³/h**



Efficiency and reliability

Aqua-4D® water treatment systems have been proving their efficiency for more than 10 years. The 5th generation (Aqua-4D® Serie E) improves the reliability of the systems and the efficiency of the treatment.

Modular

Thanks to the modular concept, Aqua-4D® systems adapt themselves to all type of installations. Treatment of big flows is not an issue anymore.

Respecting environment

Aqua-4D® Série E is a patented technology of electromagnetic water treatment. The treatment is ecological as it does not use any chemical product and does not change the chemical composition of the water.

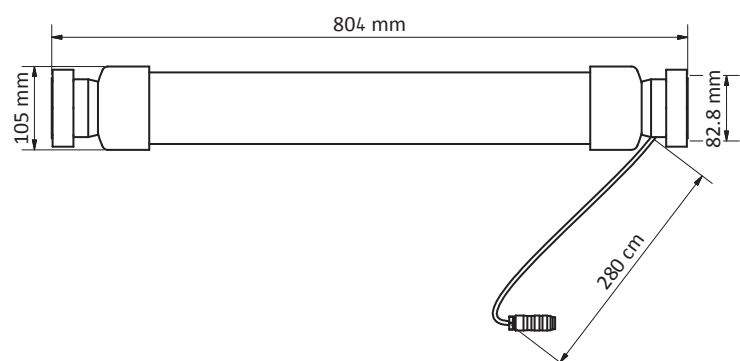
Mechanical construction	
Length	804 mm
Max. diameter	105 mm
Size rating	2" (DN 50)
Weight	8.7 kg
Connection wire length	280 cm
Connector	Binder Series 423, 4 poles, male
Maximum flow rate	360 l/min (21.6 m ³ /h)
Pressure rating	PN25 (SDR 9)

Ambient conditions	
Ingress Protection	IP 65
Ambient temperature	0 ... 60 [°C]
Storage temperature	-25 ... 70 [°C]

Materials and accreditations for Tube 360E	
Material	PVC-C, TC-Quickpipe, Thermoconcept GmbH & Co
Accreditations for drinking water	- SSI GE/SVGW (Switzerland) - DVGW (Germany) - OWG (Austria) - ACS (France)*

* Material used for the construction of Tubes are all acceded ACS.

- **Without maintenance**
- **Flow rate from 0 to 360l/min (21.6 m³/h)**
- **2" DN50**



Associated modules and accessories

Command 360E Pro

Art. n° 80210



Control unit that can control from 1 to 6 Tubes 360E, plus:

- Ingress protection IP65
- Alarm output on a relay
- Synchronization of EM signals between several electronic devices (up to 32)

Y connections Serie 360E

Art. n° 83020



The Y connection is used to connect 2 Tubes to an output of the Command 360E Pro.

- When the maximum flow rate of the installation is between 1080 and 1440 L/min (64.8 and 86.4 m³/h), a Y connection is needed to connect the fourth Tube 360E.
- When the maximum flow rate of the installation is between 1440 and 1800 L/min (86.4 and 108 m³/h), two Y connections are needed to connect the fourth and fifth Tube 360E.
- When the maximum flow rate of the installation is between 1800 and 2160 L/min (108 and 129.6 m³/h), three Y connections are needed to connect the fourth, fifth and sixth Tube 360E.

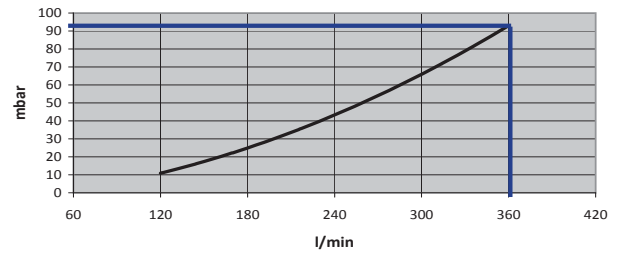
Extensions for Tubes 360E

Art. n° 83210 (5m length)
Art. n° 83211 (10m length)
Art. n° 83212 (15m length)



When the Command 360E Pro are placed at two metres from the Tubes 360E, an extension is needed. Length > 15m made to measure (max. 50m)

Loss of pressure of Tube 360E



Pressure – temperatures, Tube 360E

Maximum permitted temperature for a Tube 360E depending on the water temperature.

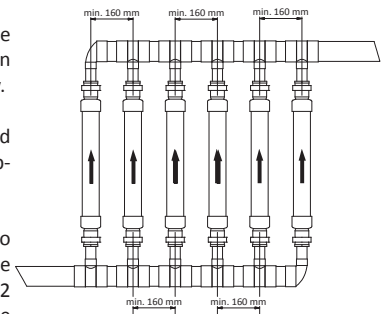
Température	Pression max.
90°C	3 bar
80°C	5 bar
70°C	8 bar
60°C	10 bar

Assembly

The assembly of the tube in the pipe is made with the arrow in the direction of the water flow.

Tubes 360E can be assembled horizontally or vertically, in upward or downward flow.

It is possible to assemble up to 6 Tubes 360E in parallel. The minimum distance between 2 Tubes 360E, measured from the centre of one axis to the other, is 160 mm.



Standard packages

Flow rates up to	Package	Description
360 L/min or 21,6 m ³ /h	Aqua-4D® 360E Pro	1 Command 360E Pro + 1 Tube 360E
720 L/min or 43.2 m ³ /h	Aqua-4D® 720E Pro	1 Command 360E Pro + 2 Tubes 360E
1080 L/min or 64.8 m ³ /h	Aqua-4D® 1080E Pro	1 Command 360E Pro + 3 Tubes 360E
1440 L/min or 86.4 m ³ /h	Aqua-4D® 1440E Pro	1 Command 360E Pro + 4 Tubes 360E + 1 Y360E
1800 L/min or 108 m ³ /h	Aqua-4D® 1800E Pro	1 Command 360E Pro + 5 Tubes 360E + 2 Y360E
2160 L/min or 129.6 m ³ /h	Aqua-4D® 2160E Pro	1 Command 360E Pro + 6 Tubes 360E + 3 Y360E

Exemple of installation

... for a building with hot water circulation circuit

- 1x Command 60E Pro
- 4x Tube 60E
- 1x 3m synchronisation wire
- 1x Command 360E Pro
- 2x Tube 360E
- 2x Y connection Serie 360E

