



- » 1" DN25
- » 0 to 60 l/min
- » 0 to 3.6 m³/h



Efficiency and reliability

Aqua-4D® water treatment systems have been proving their efficiency for more than 10 years. The 5th generation (Aqua-4D® Serie E) improves the reliability of the systems and the efficiency of the treatment.

Modular

Thanks to the modular concept, Aqua-4D® systems adapt themselves to all type of installations. Treatment of big flows is not an issue anymore.

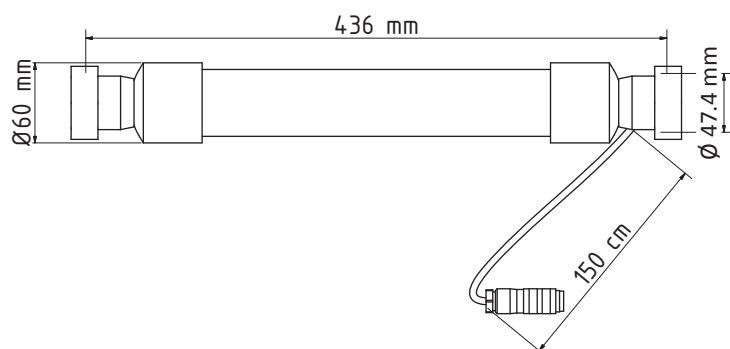
Respecting environment

Aqua-4D® Série E is a patented technology of electromagnetic water treatment. The treatment is ecological as it does not use any chemical product and does not change the chemical composition of the water.

Mechanical construction	
Length	436 mm
Max. diameter	65mm
Size rating	1" (DN 25)
Weight	2 kg
Connection wire length	150 cm
Connector	Binder Series 423, 4 poles, male
Maximum flow rate	60 l/min (3.6 m ³ /h)
Pressure rating	PN25 (SDR 9)
Ambient conditions	
Ingress Protection	IP 65
Ambient temperature	0 ... 60 [°C]
Storage temperature	-25 ... 70 [°C]
Materials and accreditations for Tube 60E	
Material	PVC-C, TC-Quickpipe, Thermoconcept GmbH & Co
Accreditations for drinking water	- SSIGE/SVGW (Switzerland) - DVGW (Germany) - OWG (Austria) - ACS (France)*

* Material used for the construction of Tubes are all accedited ACS.

- **Without maintenance**
- **Flow rate from 0 to 60l/min (3.6 m³/h)**
- **1" DN25**



Associated modules and accessories

Command 60E

Art. n° 80020



Control unit that can control up to 4 Tubes 60E.

Command 60E Pro

Art. n° 80021



Control unit that can control up to 4 Tubes 60E plus:
- Alarm output on a relay
- Synchronization of EM signals between several electronic devices (up to 32)

Y connections Serie 60E

Art. n° 83010



The Y connection is used to connect 2 Tubes to an output of the Command 60E or Command 60E Pro.
When the maximum flow rate of the installation is between 120 and 180 l/min (7.2 and 10.8 m³/h), one Y connection is needed to connect the third Tube 60E.
When the maximum flow rate of the installation is between 180 and 240 l/min (10.8 and 14.4 m³/h), two Y connections are needed to connect the third and fourth Tube 60E..

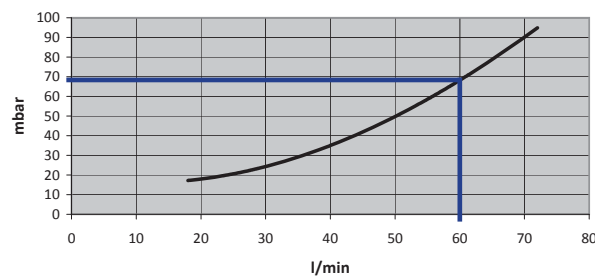
Extensions for Tubes 60E

Art. n° 83200 (5m length)
Art. n° 83201 (10m length)
Art. n° 83202 (15m length)



When the Command 60E or Command 60E Pro are placed at over a meter from the Tubes 60E, an extension is needed.

Loss of pressure of Tube 60E



Pressure – temperatures, Tube 60E

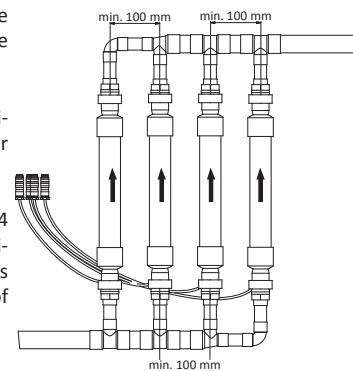
Temperature	Pressure max.
90°C	3 bar
80°C	5 bar
70°C	8 bar
60°C	10 bar

Assembly

The assembly of the tube in the pipe is made with the arrow in the direction of the water flow.

Tubes 60E can be assembled horizontally or vertically, in upward or downward flow.

It is possible to assemble up to 4 Tubes 60E in parallel. The minimum distance between 2 Tubes 60E, measured from the centre of one axis to the other, is 100 mm.



Standard packages

Flow rates up to	Package	Description	Dimensioning
60 L/min or 3,6 m ³ /h	Aqua-4D® 60E	1 Command 60E + 1 Tube 60E	max. 3 appartements *
	Aqua-4D® 60E Pro	1 Command 60E Pro + 1 Tube 60E	
120 L/min or 7,2 m ³ /h	Aqua-4D® 120E	1 Command 60E + 2 Tubes 60E	max. 7 appartements *
	Aqua-4D® 120E Pro	1 Command 60E Pro + 2 Tubes 60E	
180 L/min or 10,8 m ³ /h	Aqua-4D® 180E	1 Command 60E + 3 Tubes 60E + 1 Y60E	max. 15 appartements *
	Aqua-4D® 180E Pro	1 Command 60E Pro + 3 Tubes 60E + 1 Y60E	
240 L/min or 14,4 m ³ /h	Aqua-4D® 240E	1 Command 60E + 4 Tubes 60E + 2 Y60E	max. 25 appartements *
	Aqua-4D® 240E Pro	1 Command 60E Pro + 4 Tubes 60E + 2 Y60E	

* As indication

* 1 additional Tube 60E if hot water circulation circuit

Exemple of installation

... for a 15 appartmnts building with hot water circulation circuit

- 1x Command 60E
- 4x Tube 60E
- 2x Y connection
- 1x 10m extension

